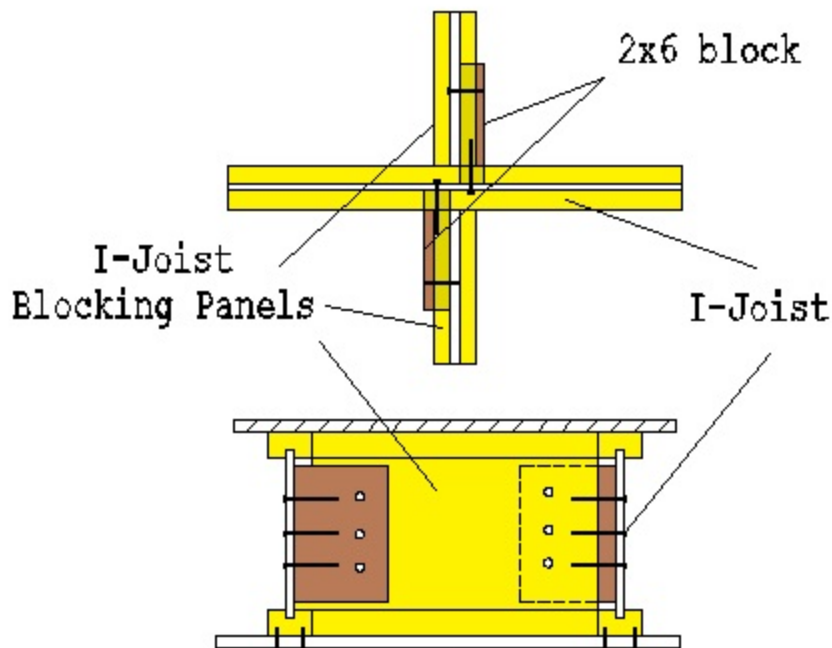


B8b

Mid Span Blocking c/w 1x4 strapping



2x6 blocks

$\frac{1}{8}$ " min gap between 2x6 and I-joist flanges

$\frac{1}{2}$ " max gap between 2x6 and I-joist Flanges

Attach 2x6 block to I-joist web and blocking panel web
using 3 - 3" common nails (10d)

Add a bead of construction adhesive to all surfaces